

Communications & Power Industries Coaxial Magnetron



The VMC2033A is a coaxial magnetron that delivers high peak and average RF power for use in weather radar transmitters.

The VMC2033A will mount directly into new and existing sockets and can be operated under various pulse and input conditions to accommodate wide ranging operating requirements. In addition to high power, the VMC2033A provides excellent frequency stability, low jitter and long life.

FEATURES:

- Frequency 5.3 – 5.85 GHz
- Peak power output 250 kW
- Duty cycle .001
- Anode voltage 28 kV
- Anode current 28 amps
- Pulse width 3.5 microseconds
- Heater 9.5 volts @ 11 amps
- Air cooled
- Mechanically tunable

BENEFITS:

- High power
- Long life

APPLICATIONS:

- Weather radars

CPI C-Band 250 kW Coaxial Magnetron: VMC2033A

Electrical Specifications

Frequency	5.3 -5.85 GHz
Peak power output	250 kW
Average power output	2.5 kW
Pulse voltage	25 – 26 kV
Peak anode current	32 A
Average anode current	24.0 mA
Pulse width	3.0 μ S
Duty cycle	0.001
Maximum filament voltage	10.5 V
Maximum filament current	13 A
Minimum warm-up time	300 S
Maximum load VSWR	1.5:1

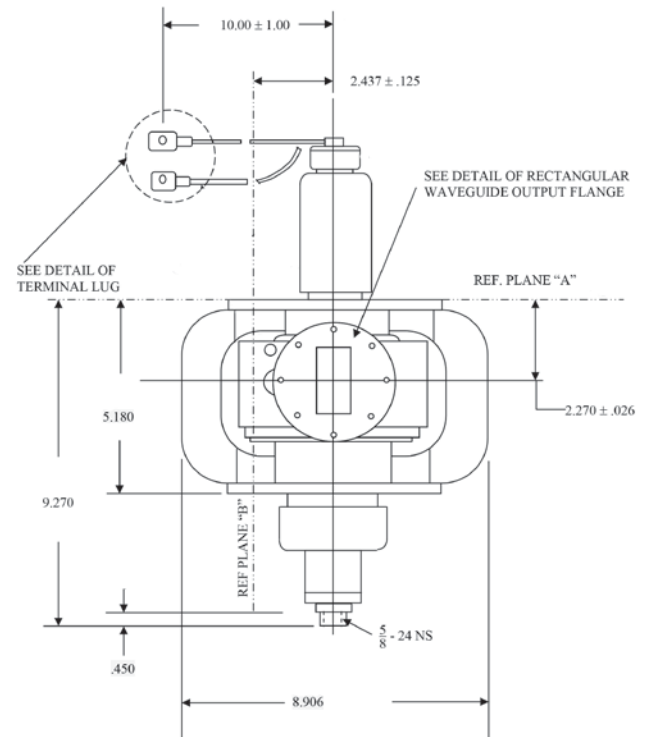
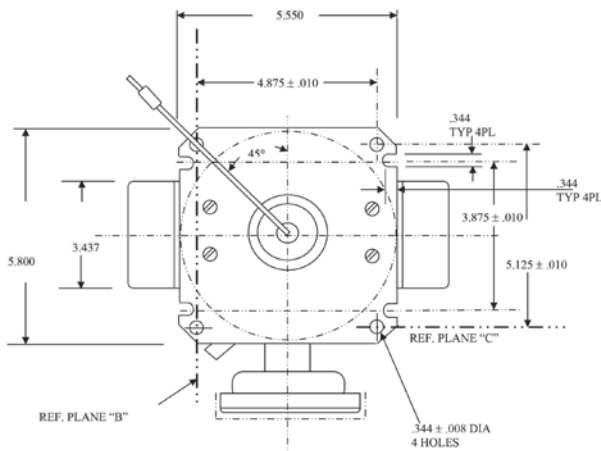
Mechanical and Environmental Specifications

Cooling	Forced air
Maximum body temperature	120°C
Mounting position	Any
Support	Mounting flange
Coupling	UG148B/U choke flange modified for clearance holes
Weight	37 lbs. (16.78 kg)

*Electrical specifications are typical. Other operating conditions are obtainable.

With a history of producing high quality products, we can help your with magnetron.

Contact us at BMDMarketing@cpii.com or call us at +1 978-922-6000.



Beverly Microwave Division
150 Sohier Road
Beverly, Massachusetts
USA 01915

tel +1 978-922-6000
email BMDMarketing@cpii.com
fax +1 978-922-8914
web www.cpii.com

For more detailed information, please refer to the corresponding CPI technical description if one has been published, or contact CPI. Specifications may change without notice as a result of additional data or product refinement. Please contact CPI before using this information for system design.

©2020 Communications & Power Industries LLC. Company proprietary; use and reproduction is strictly prohibited without written authorization from CPI.